



Since 1958

TOUCHing TECHNOLOGY

EASY, INTUITIVE, RELIABLE.



Series 3 Treatment centre, Chairs and Mobile delivery carts

Sd-350 / Sd-300 / Sd-80 *Touch Expert* • Sd-300 / Sd-80 *Touch Expert Scandinavian* • Cd-80



WELCOME TO THE WORLD OF ANCAR

Welcome to the world of Ancar where, we believe, work is about pleasure and joy. Despite the international growth of our company, we have not lost our “family spirit”, nor innovative focus since 1958.

Please join us in our world, where stylish design meets strong and reliable construction. Please enjoy the pleasure of innovation whilst maintaining great value for money.

Please discover the honest and committed after sales team behind the perfect product. We love to offer our clients the very best, because we trust the excellent ergonomics and reliability of Ancar.

 *Because everything works.
Because we're always here.*

Touch Expert TECHNOLOGY


The treatment centres in the Ancar 3 series incorporate what we call “touching technology”. “Touching technology” is our interpretation of how technology provides the dental professional with new systems and facilities to make their work more precise, safe and dynamic.

Every day, touch technology is gaining more and more ground in our society thanks to its great simplicity, ease and reliability. The interaction, the dialogue between machine and user, its versatility and its durability make this technology ideal for getting the maximum performance from your dental unit.

“Touching Technology” is Ancar’s commitment to offer the professional greater features, maximum precision and informative details that come close to perfection.


With the “Touch Expert” 3 Series by Ancar, you’ll enjoy a new experience that is as practical, simple and intuitive as it is profitable.






SIMPLE, DYNAMIC AND CLEAR SCREEN: EASY AND INTUITIVE TO USE!

- “Check Control”: Electronic self-checking of the unit on start-up.
- On the main screen you have the basic start information: select user, clinic name, day and time, and the initial work functions: chair memories, glass water, cuspidor water, unit lamp, auxiliary button and access to the configuration menu.




PERSONALISE YOUR UNIT!

- Display the clinic name, date and time.
- Programme and choose 4 different users.
- Memorise how each instrument works.
- Choice of working language.
- The values are automatically memorised with no need of additional confirmation.




SET THE INSTRUMENTS ACCORDING TO EACH ACTION!

- Touch technology enables you to configure each instrument precisely and intuitively
- Programme the micromotor speed, the power and work mode of the ultrasound (perio, endo and scaler) and the light intensity of the instruments.
- The “secret button” saves the new configuration in the memory for each user.
- Chronometer function




ASSESS THE WORK PACE!

- Unit usage statistics.
- Time of the glass water use.
- Time of the cuspidor water use.
- Time of the positions 0, 1, 2 and 3 memories and the return to cuspidor are used.
- Total and Partial Statistics per user and general for the unit.
- Working time of the instruments: micromotor, turbine and ultrasound.
- Time the equipment is connected.
- List of alerts displayed.
- Working hours of the aspiration system.
- Lamp working hours.



MAXIMISE THE FEATURES OF YOUR MICROMOTOR!

- Incorporate the brushless MX micromotor with ENDO and OPERATIVE functions.
- Programme how the MX micromotor works: contra-angle type, RPM speed control, par/torque, direction, water/spray, light intensity, etc.
- Select the torque control of the MX micromotor between 10% and 100%. 20 modifiable MX programs for each user (10 in ENDO function and 10 in OPERATIVE function).
- MAX function: converts the progressive pedal into ON/OFF pedal (acts at maximum speed in any position).



CONFIGURE THE UNIT TO YOUR TASTE!

- Multiply the information, programming and use possibilities for the user.
- Configure each of the 4 instruments on the main tray and adjust the details of each one.
- Configure the maximum glass-water and cuspidor-water time.
- Adjust the maximum light voltage on the instruments.
- Modify the minimum voltage/speed of the micromotor.
- Activate/deactivate the automatic switching on of the MX micromotor light in Endo mode.
- Adjust the MX micromotor light delay.
- Select automatic advance or automatic inversion of the instrument in Endo function.
- Programme the delay in the automatic advance function.
- Adjust the sound alerts for the inverse rotation of the micromotor, the inverse Endo programming, warnings and overload.

Sd-350 Touch Expert

Electronic treatment centre
(traditional hoses system)



PRECISION IN EVERY DETAIL.

The Ancar 3 Series represents the culmination of a job well done. Added to a perfect design, the result of our extensive experience and the planned and audited construction are meant to last, thereby it is all the innovation that today's technology offers us.

In line with this philosophy, the Sd-350 Touch Expert offers dentistry professionals the maximum aspiration in work comfort, patient wellbeing and precision in actions with the peace of mind of an approved and tested reliability.



Touch Expert control panel". Digital, intuitive and ergonomic.



Multifunction, proportional electronic pedal for water selection, reversal of micro-motor revolution, "chip-blower" function and chair movement.

Sd-300 Touch Expert

Electronic treatment centre
(continental hoses system)



PROVEN RELIABILITY.

The whole of the Ancar range features the security of optimum operation. In modern dentistry, patients and professionals need to know at all times that they are in "safe hands".

Besides being designed under efficient parameters of sturdiness and ergonomics, the Sd-300 Touch Expert predicts and controls any anomaly that may interrupt the professional's normal working process. Its "Check Control" electronic safety system checks on start-up that all the functions are optimally available to undertake any action in perfect instrumental conditions.



Instrument tray made of ALUMINIUM CORE anti-corrosion light aluminium alloy with pneumatic brake.



Auxiliary cannula support with two aspiration hoses installed as standard. Possibility of installing optional 34. stainless steel syringe, polymeriser lamp and intraoral camera.

Sd-300 Touch Expert Scandinavian

Electronic and ambidextrous treatment centre
(continental hoses system)



INNOVATION IS ALSO AMBIDEXTROUS.

An electro-pneumatic unit designed for both right and left handed use to assist the dentist fully during their professional practice.

Along with the sturdiness, ergonomics and reliability of its equipment, Ancar now has an independent water unit that can be installed on the left side (standard) or right side (optional) of the chair.

This solution provides a bi-functional unit for the professional and the dental chair that best adapts to the features and availability of the space.



Right-handed working position.



Left handed working position.

“Ancar’s reliability is fundamental to our consultancy always achieving maximum productivity.”



Sd-80 Touch Expert

Electronic treatment centre
(Unit + Cd-80 Touch Expert Mobile delivery cart)



PURE TECHNOLOGY = MAXIMUM PERFORMANCE.

With the Sd-80 Touch Expert unit, any consultation offers your patients the most avant-garde design, features and technology.

Your ability to communicate with the patient is maximized by integrating an LCD touch screen. That way you use pictures to reinforce the details of any information, leading you a new kind of doctor-patient interaction which strengthens the relationship.

The Sd-80 dental unit offers a great deal of versatility and enables you to find usable work spaces where other units would not fit. An infallible formula to find the right and relaxed operative configuration every time.



Brushless micromotor with ENDO functions. Programme the contra-angle type, the maximum and minimum speed, the par, the torque, the turning direction and the light intensity of the micromotor.



Display with statistics about the use of the unit and the instruments, working hours of the aspiration system, lamp and frequent alerts.

Sd-80 Touch Expert Scandinavian

Ambidextrous electronic treatment centre
(Unit + Cd-80 Touch Expert Mobile delivery cart)



WORK COMFORTABLY IN ANY POSITION.

The ambidextrous Sd-80 Touch expert Scandinavian, enables an effective treatment centre for both right and left handed dental professionals thanks to its cannula support with 180° rotation.

The separate water unit can be either fixed to the floor or a metal base plate, it also has a swing rotation of 75° to facilitate the help of an assistant. The cannula support is fitted to the back of the seat and it incorporates double safety switches to prevent any unwanted contact during chair movement.

The versatility of the Cd-80 mobile delivery cart allows you to set up a complete and technologically advanced treatment unit to suit every user's needs.



Connections box with auxiliary air, water and 220V outlet for peripheral instruments.



Assistant support with built-in double safety switches.

Cd-80 Touch Expert

Electronic mobile delivery cart
(traditional hose system)



WHERE, WHEN AND HOW YOU WANT IT.



Touch Expert touch screen.



Automatic connection box and electronic pedal for Cd-80.



Inside view of automatic connections box.



ALUMINIUM CORE: made of light aluminium alloy, with manual height adjustment and wheel lock.

“At Ancar, we share
a common objective:
maximum comfort for you,
greater comfort for your patients”



Details that make the difference



ALUMINIUM CORE: Made in light, anticorrosive aluminium alloy.



Cutting-edge and very sturdy. Excellence in construction details. Technical and mechanical solutions.



Excellence in construction details



Suction filter that is easy to access and clean.



Removable and autoclavable instrument support.



Connections box of the Scandinavian model, with auxiliary air output, water and 220V input for peripheral instruments.



New auxiliary cannula support with two aspiration hoses, optional instruments and control of chair movement.



High-capacity porcelain cuspidor.



Water unit with 75° turn. Chair covers made from highly resistant Baydur®. Easy access to the inside.



New proportional electronic pedal with vertical activation for working with/without water, micromotor direction inverter, "chip blower" drive and chair movement.



E 3 Series incorporates the new "Touch Expert" touch technology: maximum precision in every action.



All Ancar equipment includes a "BODE X-Wipes" reloadable wet towels dispenser system to ensure the hygiene and disinfection of surfaces and instruments.

Personalise the unit to suit you. Just the way you like it!



"Self Water System". Independent water supply system for instruments on the equipment.



H1 disinfection system for aspiration hoses. H1 includes the automatic suction hose selection S1 system.



WEK water decontamination system for instrument hoses.



Water unit covers in 4 different colours: standard white, pastel blue, pearly green and silver grey.



Anatomical cushion for very young children, with removable and washable cover.



Optional right-side arm turning through 180°.



Two types of cover: "Standard" and optional "Soft Drive" 10 cover colours available in the "Standard" range and 3 colours in the "Soft Drive" range.



Possibility of including an intraoral camera, LCD monitor, PC monitor and USB convertor.



Customised equipment



EDI lamp with halogen light bulb at 25,000 Lux. With ON/OFF switch or optical sensor (optional).

Levers are easy to remove and sterilize in an autoclave.



ALYA lamp with LED technology at 50,000 Lux.

POLARIS lamp with LED technology with adjustable light intensity from 15,000 to 30,000 Lux.

The new generation of high-specification lamps with LED technology offer a whole range of benefits:

- LED lights generate a natural quality light which guarantees sharper vision in comparison with halogen light.
- LED light sources are longer lasting than halogen bulbs and consume less. A cold light. Minimum heat generated.
- LED technology offers greater field of vision and fewer shadows during treatment.
- Whiter light than the traditional bulb.



Td 170



Td 220



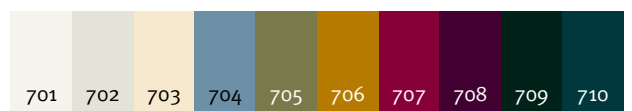
Td 300

SEAT COVERING COLOURS

"Standard"



"Soft Drive"



Technical Features

FUNCTIONS:

- Electronic unit controlled by microprocessor.
- Electrically-operated chair with Trendelenburg and 5 position memories (three for working, reset and return to cuspidor).
- The equipment performs an automatic self-test when turned on (Check control”).
- Instrument programming via digital support.
- Programming of micromotor speed, ultrasound power and light intensity of the instruments.
- Micromotor speed selector from 0 to 4,000 RPM (Selective) and from 0 to 40,000 RPM (Global).
- Display with real working speed of the micromotor from 800 to 40,000 rpm.
- Programming of the ultrasound work mode: scaling, perio and endo.
- Graphic display of the ultrasound power level and the real work speed of the turbine.
- Anomaly detection and control system.
- Possibility of turbine and micromotor interchange in the same hose.
- Automatic ON/OFF lamp in rest and return to cuspidor position.
- Control of spray and individual water flows for each instrument.
- ON/OFF supplying water and air to the unit.
- Choice of language for working.
- “Update Device” system: incorporates the latest programming updates even years after its purchase.
- Multifunction, proportional electronic pedal for water selection, reversal of micro-motor revolution, “chip-blower” function and chair movement.
- 6f. stainless steel syringe. Installed as standard.

ERGONOMICS:

- Minimum chair height of 430 mm., making treatment of upper areas easier.
- Multiposition articulated headrest.
- Chair movements available on control pedal and keyboards (principle and assistant).
- “Touch Expert” digital, intuitive and ergonomic control panel with information in display.
- Arm and instrument tray with mechanical compensation and pneumatic brake.
- Water box with 75° turn to make assistant’s work easier.

MATERIALS:

- ALUMINIUM CORE: unit, chair and pedal manufactured in light anti-corrosive aluminium alloy.
- Water unit covers and connections unit embellisher made from highly resistant and non-deformable special Baydur® polyurethane.
- Large-capacity porcelain cuspidor.
- Seamless, fireproof, breathable upholstery, highly elastic and with pleasant feel.

SAFETY FEATURES:

- On auxiliary cannula support, backrest and chair base.
- In movement keypads.

- On optional instruments (turbine, micromotor and ultrasound) through adjustor pedal.
- In the selection of a second instrument.
- Unit designed in accordance with Health Product Directive 93/42/CEE and whose design and construction comply with the requirements of dental product regulations EN 1640 / ISO 7494, and IEC safety standards.

HYGIENE:

- Autoclavable silicone instrument support.
- Dismountable and thermo-disinfectable suction hoses.
- Easy-clean suction filter.
- Rotary instrument oil recuperator.
- Fewer joints and corners, making it easy to clean.
- “WEK” water decontamination system for instrument hoses.
- H1 disinfection system for suction hoses.
- All Ancar equipment includes a “BODE X-Wipes” reloadable wet towels dispenser system to ensure the hygiene and disinfection of surfaces and instruments.

THE RANGE:

Sd-350 *Touch Expert*

- Electronic unit with hanging hoses system.

Sd-300 *Touch Expert*

- Electronic unit with handpieces system.

Sd-300 *Touch Expert Scandinavian*

- Ambidextrous electronic unit with separate water unit. Handpieces system.

Sd-80 *Touch Expert*

- Electronic unit + Cd-80 *Touch Expert* ~~Touch Expert~~

Sd-80 *Touch Expert Scandinavian*

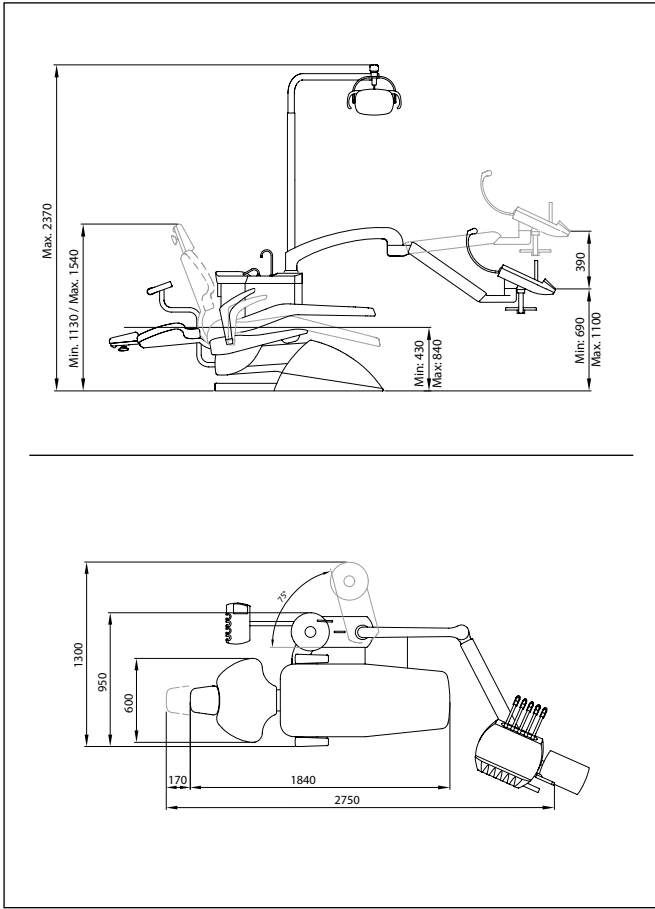
- Ambidextrous electronic unit with separate water unit + Cd-80 trolley.

Cd-80 *Touch Expert*

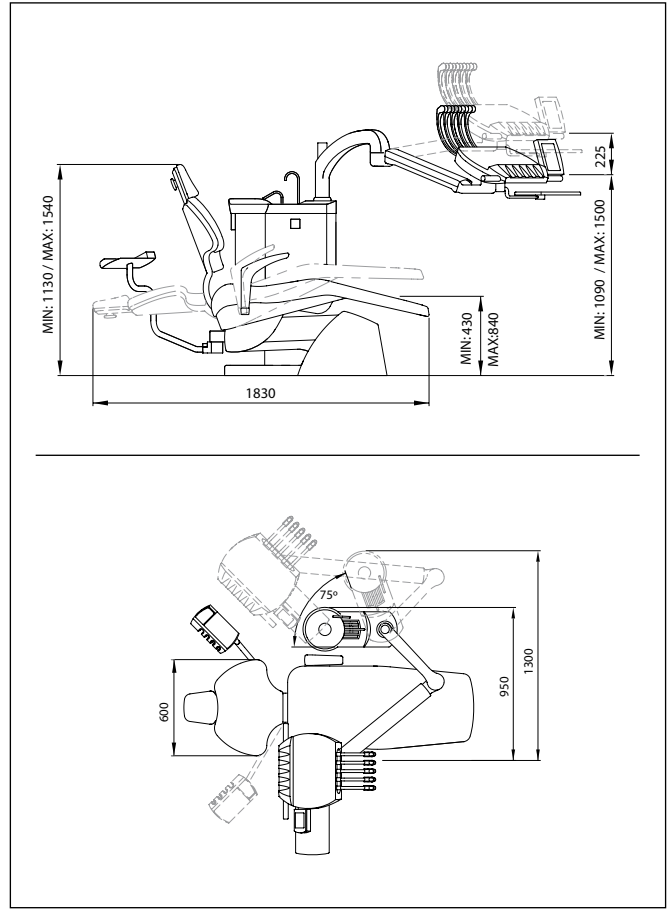
- Electronic dental trolley with hanging pipes.

Dimensions

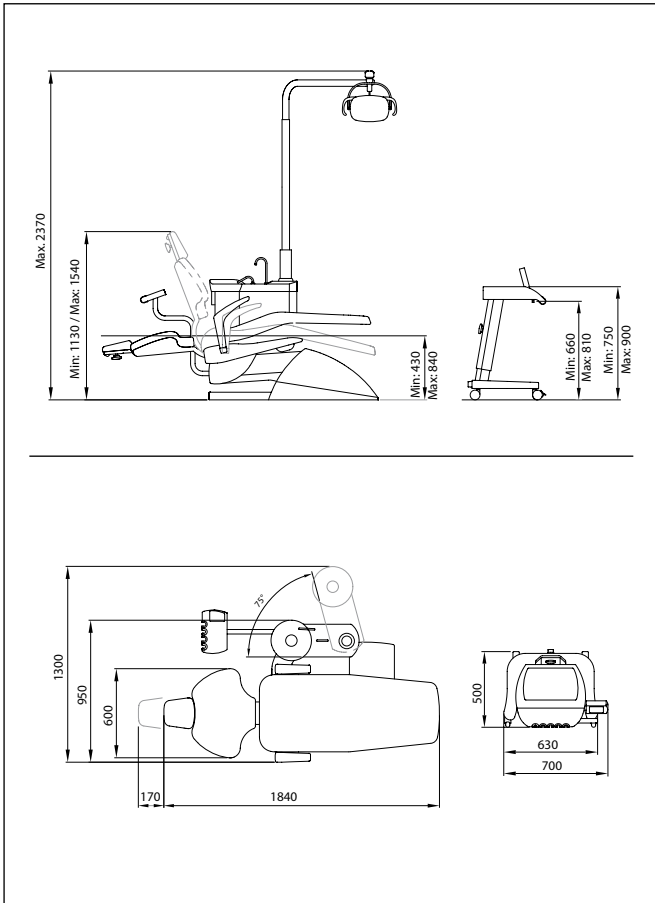
Sd-350 / Sd-300 *Touch Expert*



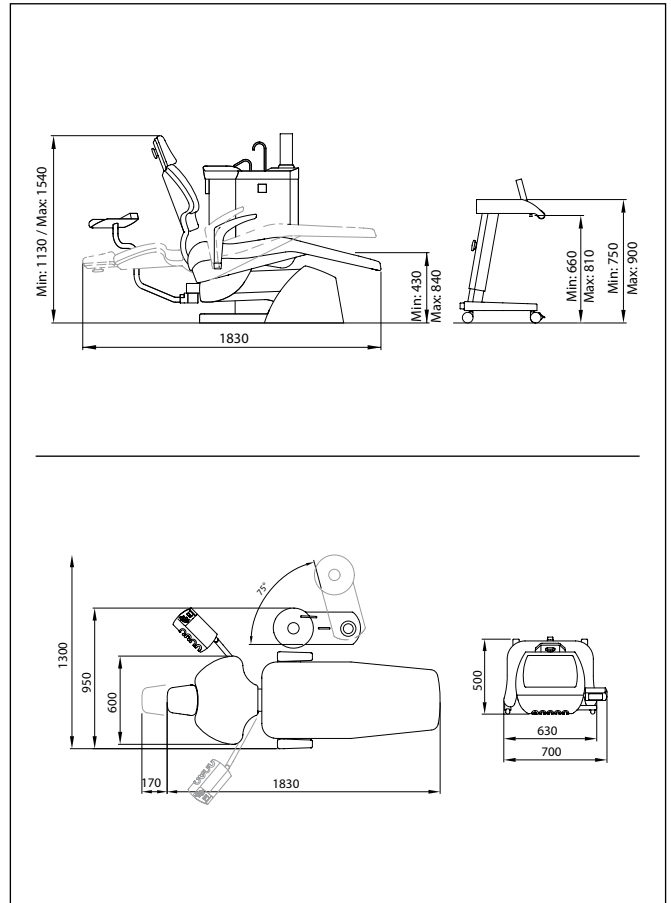
Sd-300 *Touch Expert Scandinavian*



Sd-80 *Touch Expert*



Sd-80 *Touch Expert Scandinavian*





THE PERFECT PRODUCT FOR A CLEANER PLANET

Ancar is committed to creating long-lasting, top quality and impeccably performing products to ensure that during the full lifecycle of the product there is minimum impact on the environment. Quality, durability and efficiency are concepts that have been incorporated into our design, production and recycling processes.

Production processes maintain the priority of ensuring a balance between our activities and respect for the environment. In other words, a commitment to quality, environmental management and sustainable development principles.

Ancar's Eco-arguments: a drive to offer efficient and sustainable dental equipment.

- We plan the whole manufacturing process in a sustainable way, starting with the acquisition and supply of economically and ecologically responsible parts and materials.
- We manage environmental and conservation aspects accordingly.
- We prevent pollution at its origin when and where possible.
- We promote environmental sustainability during the development of all processes: design, logistics, production, installation, maintenance and recycling.
- We ensure that our installations and products meet current environmental, conservation and process and unit recycling.
- We reduce the consumption of water, time and energy, both during the production process and the use of our units.
- We foster environmental respect by raising awareness, education, motivation and other initiatives by our team.

ANCAR ASSISTANCE



At Ancar we produce a precise, technical product and we know the importance of quality in our work. But we also know that the qualities of a product may fail if it is not supported by the right and efficient technical support.

Because customer satisfaction lies in a quality service, our priority is to offer a top quality after-sales service.

We are proud of our professional team who ensures that the product arrives to the professional and as such, to the patient, in the best conditions. We are so sure of our quality that all Ancar equipment and stools come with a two-year guarantee. However, this conviction does not lessen our responsibility for any incident that may occur to our equipment from usage.

All these factors combined have led our company to focus a great deal of energy on creating an efficient Technical Assistance Service (AncarAssistance), which is reliable, serious and has an impressive capacity to solve problems in a minimum of time. That is why all our technicians are trained and approved by Ancar, which keeps them updated with periodic refresher courses, and why we only use original replacements when making repairs. Additionally, as always we believe in maintaining direct and open contact with professionals. This is why we offer an open line with our technician through an email address: sat@ancar-online.com and a telephone n^o: **+ 34 93 754 07 97**, so that we can solve any doubts or problems in just a few minutes.



INDEX

TREATMENT CENTRES

Tecnología <i>Touch Expert</i>	2
Sd-350 <i>Touch Expert</i>	4
Sd-300 <i>Touch Expert</i>	5
Sd-300 <i>Touch Expert Scandinavian</i>	6
Sd-80 <i>Touch Expert</i>	8
Sd-80 <i>Touch Expert Scandinavian</i>	9

MOBILE DELIVERY CARTS

Cd-80 <i>Touch Expert</i>	10
---------------------------------	----

OPTIONS AND TECHNICAL DETAILS

Details that make the difference	12
Personalise the unit to suit you	13
Technical Features	14
Dimensions	15
Green Processes for Sustainability	16
Ancar Assistance	16

Ancar

DENTAL
INTELLIGENCE
with heart

Since 1958

Other units and dentist's trolleys

3 Series



Sd-175



Sd-150



Sd-150 Scandinavian



Sd-60



Sd-60 Scandinavian



Cd-25



CE
0434

QS4 LEA 011 v.3

Subject to design and/or specification changes without
prior notification. Made in Europe.

Antoni Carles, S.A.
Volta dels Garrofers, 41-42 Polígono Industrial "Els Garrofers"
08340 Vilassar de Mar (Barcelona-SPAIN)
Tel. (34) 93 754 07 97 Fax (34) 93 759 26 04
www.ancar-online.com / e-mail: ancar@ancar-online.com